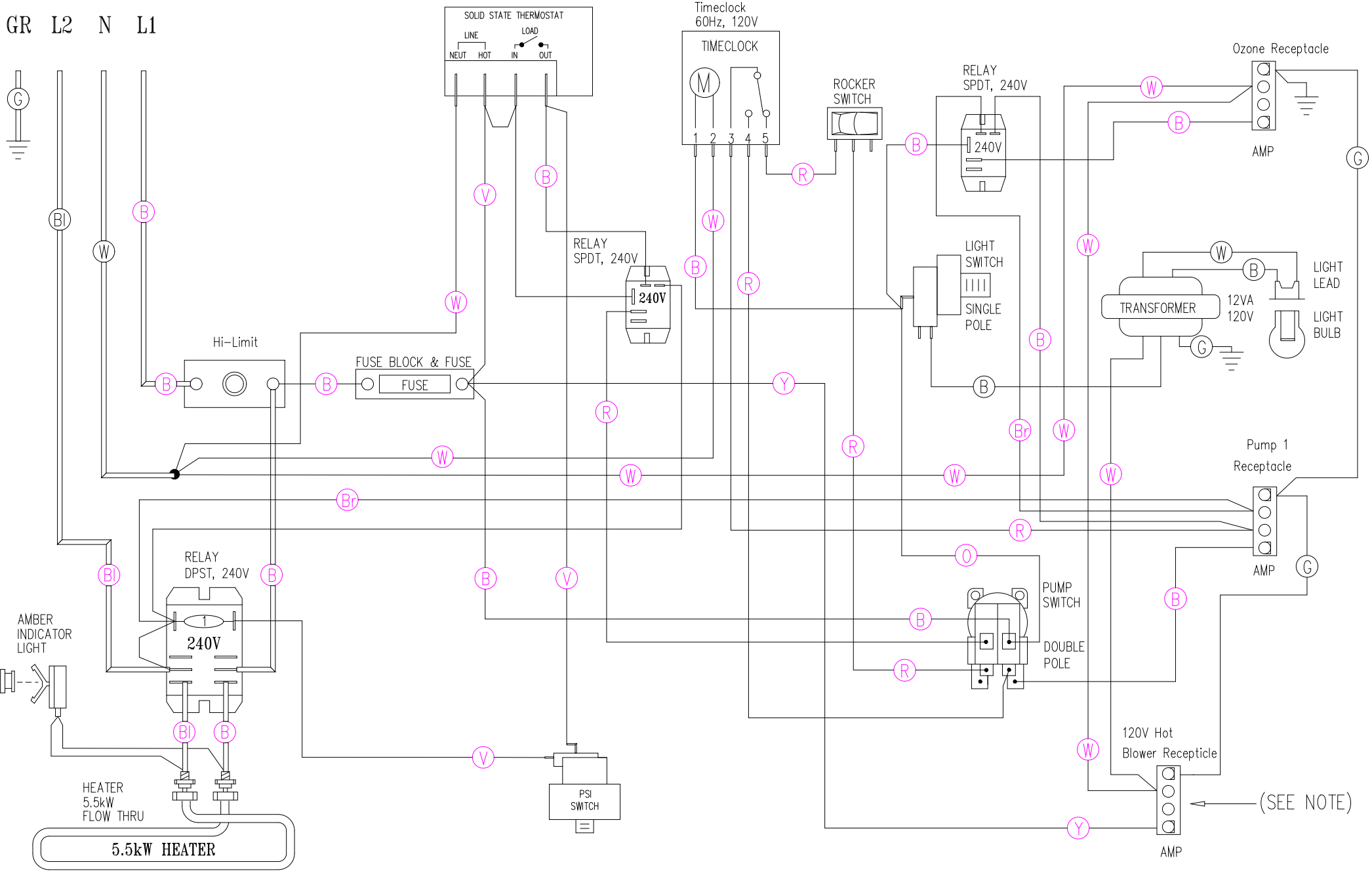


GR L2 N L1



HYDRO-QUIP
CORONA, CA 909.273.7575

Manufacture Notes: # 1 CAPACITOR ON HEATER RELAY

Dwg. No.
203S0-DKQ

Drawn
TDM

Rev
2

Wire Color Code

B - Black	G - Green
Br - Brown	Bl - Blue
R - Red	V - Violet
O - Orange	W - White
Y - Yellow	Gr - Grey

NOTE: ONLY INSTALL A 120V SWITCHED AIR BLOWER.

Date
06.18.98
Diagram No.
1161